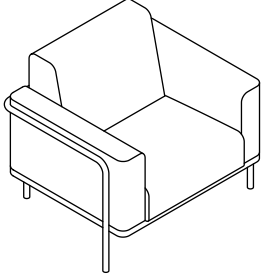


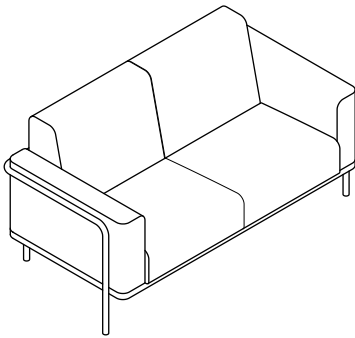
ATTESI - WAITING

MATIS SOFT SEATING



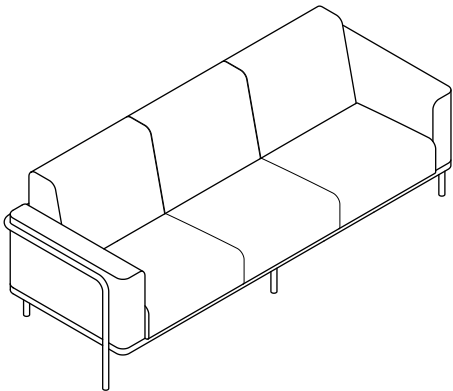
MA11N

L: 890
P: 770
HT:750
HS: 430
HB: 590



MA22N

L: 1450
P: 770
HT:750
HS: 430
HB: 590





MA33N

L: 2010
P: 770
HT:750
HS: 430
HB: 590



FINITURE STRUTTURA LEGS FINISHES


RAL 9017
Metallo
Metal


Metallo cromato
Chromed metal

CERTIFICAZIONI CERTIFICATIONS

EN 16139 | EN 1022 | EN 1728 Tested by CATAS
Omologazione Ministeriale in Classe 11M - UNI 9175